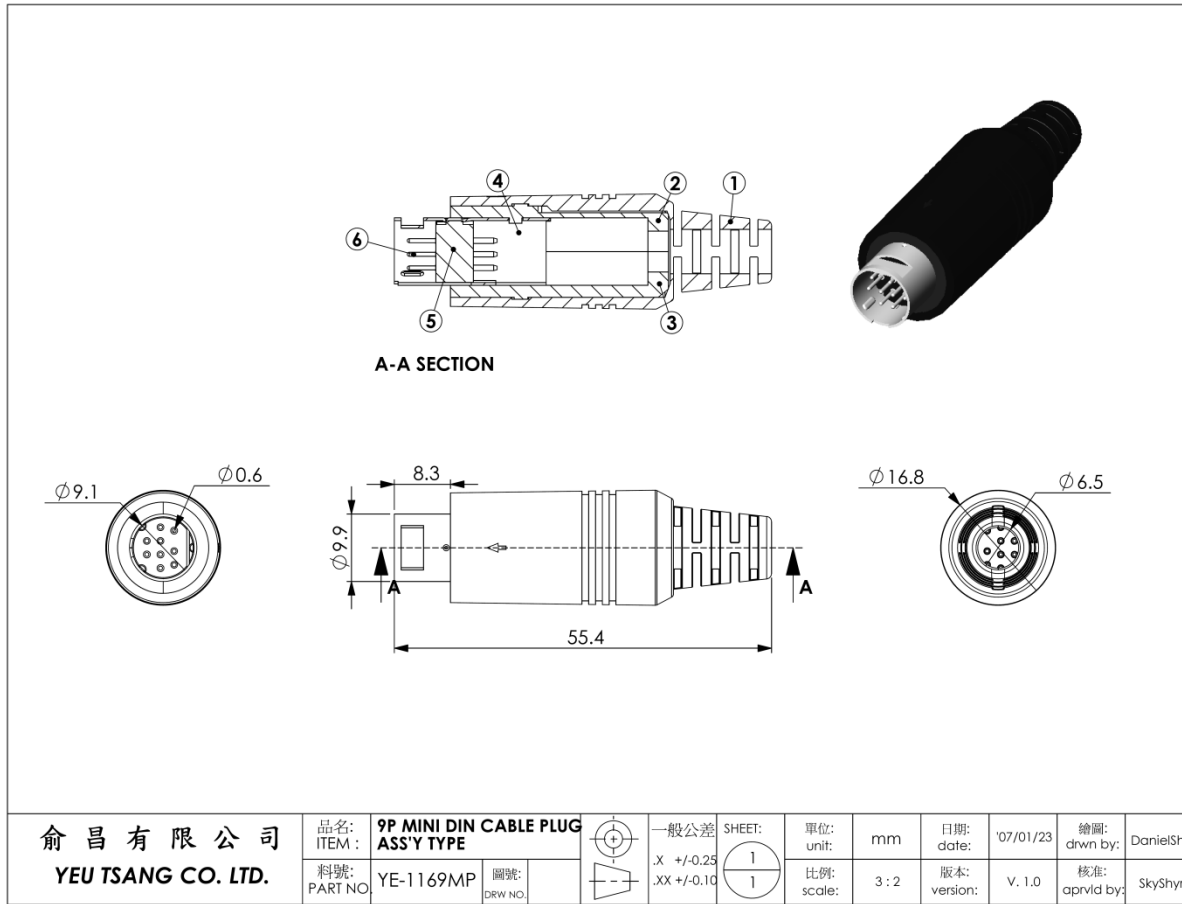


YE-1169MP 9P MINI DIN CABLE PLUG ASSEMBLY TYPE



COPYRIGHT BY YEU TSANG

• MATERIALS :

1. SHELL COVER :
EVA+LLDPE
2. HOLDER A :
ABS
3. HOLDER B :
ABS
4. SHIELD COVER :
BRASS NICKEL PTD.
5. HOUSING:
PA66+GF
6. TERMINALS:
BRASS SILVER PTD.

• SPECIFICATION :

•rating :

100V AC or 12V DC 2A

•insulation resistance :

MIN 50MΩ at 250V DC

•voltage withstand :

250V AC, 1 minute